

Dfuser Stage II Power Module



DT-466/e, DT-570, and HT-570

User Guide

What

Gain as much as **+60HP and 130ft/lbs of torque!**, plus improve fuel mileage, over stock.

The secret to the extra power is in enhancing the signal to the Injector Control Pressure Module (ICP). By raising the pressure, dramatic gains in power and throttle response are possible. Improve fuel economy by just dialing ¼ to ½ turn. If you use a chip currently, take it to the next level, you can 'stack' this with your chip to improve low-end throttle response and gain some torque and top end power.

How

This latest design allows more flexibility when it comes to controlling the new found power, when needed. It works with your cruise control and has virtually no rough idle. Most modification done to these engines vary in nature, and this design can work for just about every configuration and upgrade done.

Installation Instructions

Pre-Cautions

- Take the time to read and understand these instructions.
- Use proper tools when installing
- Use proper safety gear
- On some vehicles the SES may flash for a second during heavy towing or hard acceleration. This is normal. A code may be stored in your PCM, and can be retrieved/cleared using the proper Diagnostics Tools. It is not normal for the SES light to remain on before or after this modification.
- This modification is considered a performance enhancement to your engine management system, and may alter emissions.

Tools recommended for installation

- wrench or socket to ground wire under dash
- Small/Tiny flat Screwdriver Used to mount knob on Dial
- Electrical Tape Used as protective covering on ICP/MAP connection
- Zip Ties To clean up wiring runs and organize under the dash or under hood.
- Drill /drill bits for drilling hole (Use the locking nut on the knob and toggle to determine the bit required)

Installation

Begin with removing the key from the ignition.

Ground Black Wire: Ground the unit using the short black wire with open or ring terminal (Figure 1).

ICP Black Wire: Find a location to tap through the firewall. Locate a suitable location to pass a wire through the firewall.

Route the long wire (Black) through the firewall into the engine compartment, making sure not to route the wire near the fan belt or other moving parts. This is where your fish tape or clothes hanger might come in handy. Just tape the end of the wire to the coat hanger or fish tape and pass it through.

Locate the ICP (Ignition Control Pressure) sensor (Figure 2). The sensor is located on the driver's side of the engine on the Oil Rail and it has three wires coming from it (Figure 3). Use the supplied pigtail to install between the factory Harness and the ICP sensor.

Dial Knob/3 position Switch (High-Center off-Low): Make sure all your connections are of good quality, that all wires are neatly tucked out of the way of the brake/accelerator. Using a ¼ inch drill bit, drill a hole in the dash panel, if you wish and mount your knob in that location. It is secured to the dash with the nut already on the dial. (Figure 4).

Crank it up and test this new found horsepower! Start your testing with the dial in the full counter clockwise position. This is the minimal setting. As your vehicle warms up, add some power by moving the dial clockwise.

MAP Grey Wire: Find a location to tap through the firewall. Locate a suitable location to pass a wire through the firewall.

Route the Grey wire over to the MAP sensor located on top of the valve cover (Figure 3). Use the supplied pigtail to install between the factory Harness and the MAP sensor.

General Note

Some vehicles will not be able to use the full power of this module due to variance in the HPOP. Adjust your module accordingly. Start in the high setting, with dial wide open, and work your way down to insure your SES light does not come on. Once you determine the level where you SES light is not triggered, this should be your highest setting.

Parts List

Dfuser Stage II Power Module, with adjustable dial.

Pigtail ICP Harness

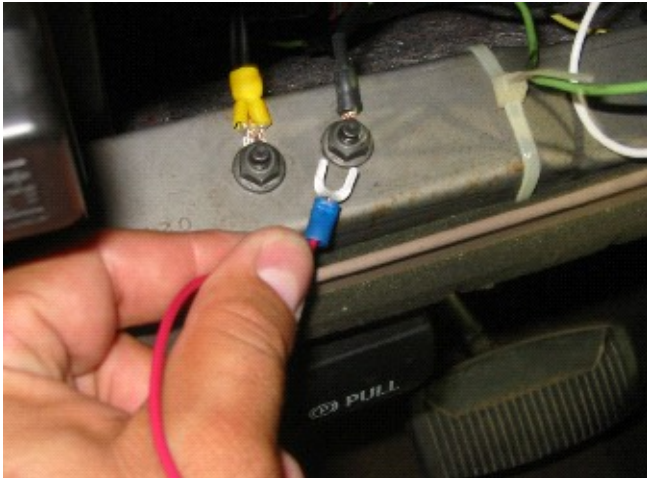
MAP Sensor Harness with Pigtail

Disclaimers

Gauges are recommended. Due to the variances in stock engine and transmission programming, the Module can have varying results on Exhaust Gas Temperatures (EGT). For that reason we recommend the use of a pyrometer on your truck. If you choose to not install gauges prior to using your Module, do not use more than ¾ turn during heavy towing, and avoid spending more than 2-3 seconds at redline to avoid spiking EGT.

Remove all upgrades before servicing or prior to visiting the dealer. This avoids confusion from the dealer who may not be familiar with these products. These products can also interfere with the normal troubleshooting procedures that are used in fixing some common engine problems where injector timing and pressure are related. Do not use this product until you have carefully read the following agreement.

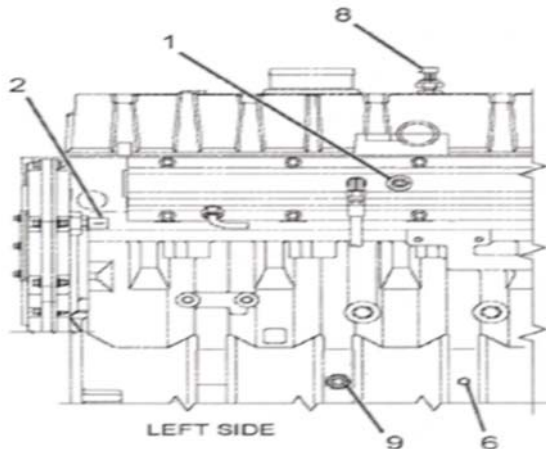
This sets forth the terms and conditions for the use of this product. The installation of this product indicates that the BUYER has read and understands this agreement and accepts its terms and conditions



Ground connection (Figure 1)



ICP (Figure 2)



Location: ICP #1, MAP #8 (Figure 3)



Dial (Figure 4)



Stage II Power Module

THIS IS A HIGH PERFORMANCE PRODUCT. USE AT YOUR OWN RISK.

Do not use this product until you have carefully read the following agreement.

This sets forth the terms and conditions for the use of this product. The installation of this product indicates that the BUYER has read and understands this agreement and accepts its terms and conditions

DISCLAIMER OF LIABILITY

Dfuser.com and its distributors, jobbers, and dealers (hereafter **SELLER**) shall in no way be responsible for the product's proper use and service. **THE BUYER HEREBY WAIVES ALL LIABILITY CLAIMS.**

The **BUYER** acknowledges that he/she is not relying on the **SELLER's** skill or judgment to select or furnish goods suitable for any particular purpose and that there are no liabilities which extend beyond the description on the face hereof and the **BUYER** hereby waives all remedies or liabilities, expressed or implied, arising by law or otherwise, (including without any obligations of the **SELLER** with respect to fitness, merchantability and consequential damages) or whether or not occasional by the **SELLER's** negligence.

The **BUYER** is responsible to fully understand the capability and limitations of his/her vehicle according to manufacturer specifications and agrees to hold the **SELLER** harmless from any damage resulting from failure to adhere to such specifications.

The **SELLER** disclaims any warranty and expressly disclaims any liability for personal injury or damages. The **BUYER** acknowledges and agrees that the disclaimer of any liability for personal injury is a material term for this agreement and the **BUYER** agrees to indemnify the **SELLER** and to hold the **SELLER** harmless from any claim related to the item of the equipment purchased. Under no circumstances will the **SELLER** be liable for any damages or expenses by reason of use or sale of any such equipment.

The **BUYER** is responsible to obey all applicable federal, state, and local laws, statutes, and ordinances when operating his/her vehicle, and the **BUYER** agrees to hold **SELLER** harmless from any violation thereof.

The **SELLER** assumes no liability regarding the improper installation or misapplication of its products. It is the installer's responsibility to check for proper installation and if in doubt, contact the manufacturer.

The **SELLER** recommends that the **BUYER** temporarily remove this product from his/her vehicle when having the vehicle serviced by a dealership or other service facility. Failure to do so may cause erroneous diagnostic readings or misdiagnosis of vehicle problems. The **SELLER** assumes no liability for failure to do so.

LIMITATION OF WARRANTY

Dfuser.com (hereafter "**SELLER**") gives Limited Warranty as to description, quality, merchantability, fitness for any product's purpose, productiveness, or any other matter of **SELLER's** product sold herewith. The **SELLER** shall be in no way responsible for the product's open use and service and the **BUYER** hereby waives all rights other than those expressly written herein. This Warranty shall not be extended or varied except by a written instrument signed by **SELLER** and **BUYER**.

The Warranty is Limited to ninety (90) days from the date of sale and limited solely to the parts contained within the product's kit. All products that are in question of Warranty must be returned shipping prepaid to the **SELLER** and must be accompanied by a dated proof of purchase receipt. All Warranty claims are subject to approval by Dfuser.com.

Under no circumstances shall the **SELLER** be liable for any labor charged or travel time incurred in diagnosis for defects, removal, or reinstallation of this product, or any other contingent expenses.

Under no circumstances will the **SELLER** be liable for any damage or expenses insured by reason of the use or sale of any such equipment.

IN THE EVENT THAT THE BUYER DOES NOT AGREE WITH THIS AGREEMENT: THE BUYER MAY PROMPTLY RETURN THIS PRODUCT, IN A NEW AND UNUSED CONDITION, WITH A DATED PROOF OF PURCHASE, TO THE PLACE OF PURCHASE WITHIN TEN (10) DAYS FROM DATE OF PURCHASE FOR A FULL REFUND.

THE INSTALLATION OF THIS PRODUCT INDICATES THAT THE BUYER HAS READ AND UNDERSTANDS THIS AGREEMENT AND ACCEPTS ITS TERMS AND CONDITIONS.

AFTERMARKET PRODUCTS AND YOUR VEHICLE'S WARRANTY

Many of our customers ask, "Will your product void my vehicle manufacturer's warranty?" While the answer is straightforward from a legal standpoint, we also want to educate our customers (and aftermarket Consumers) on some industry realities and offer some common sense precautions to minimize your risk.

Consumers of aftermarket products are protected by The Federal Magnusson-Moss Warranty Act. The Act states that if something breaks on your car and you take it in for warranty repair, the dealer must honor your warranty unless they can prove that whatever modifications you have added to your car actually caused the problem.

While as a consumer, you have strong legal protection with regards to your vehicle's warranty, there is also a practical reality that different automotive manufacturers and dealers have greatly varying views on aftermarket products, in particular those that produce horsepower, such as performance enhancement chips, modified intake manifolds, or aftermarket exhaust systems. There are dealers and manufacturers out there that will use the presence of a horsepower upgrade to void your vehicle's warranty. They will do this regardless of whose product you are using. Any aftermarket company that does not acknowledge this is misleading you.

The bottom line is that while the law protects the consumer and provides for enforcement of the warranty, it is very difficult for most people to hire an attorney and fight a voided warranty. Dfuser.com recommends that you always disconnect and remove your module and monitor when you take your vehicle to a dealer for warranty work in order not to interfere with Diagnostic equipment.

Supplement:

Your module may also include an additional wire with ring Terminal on one End and Female/Male Disconnects on the other end.

This additional wire may be used and spliced into your exiting Power Module ground wire, only if the Stage I Power Module sets your engine light at the lowest setting.

Web Site: <http://www.dfuser.com>

Questions: Send email to Support@dfuser.com

dfuser.com
108 Evergreen Road
Georgetown, TX 78628-9500