

# dfuser Upgraded Heavy Duty Headlight Harness

## User Guide

### What

This harness is intended to restore the voltage lost in the factory harness from the battery to the headlights back. On some vehicles there was as much as 2.8 volts lost.

In some applications this harness can also be used to convert a factory harness to accommodate different type headlights and bulb combinations.

- **Warning!** **“DO NOT USE High Wattage Bulbs with this application”.**

### Applications covered:

9007 to 9007 (Hi/Low Option available with this harness)

9007 to 9008 (H13)

9008 (H13) to 9008 (H13)

H4 to 9007 (Hi/Low Option available with this harness)

H4 to 9008 (H13)

9007 to 9007/9145 (H10) Fog-light harnesses (Hi/Low Option available with this harness)

9008 to 9008/9145 (H10) Fog-light harnesses.

### How

This latest design allows more flexibility when it comes to bulb and headlight configuration with Fog-lights. Using relays to provide direct battery power to the bulbs, while retaining factory headlight switch control.

### Note: Disabling DRL for Canadian Trucks

On the Canadian FORD F-250/F-350 trucks, the Daylight Running Light Module (DRL) is bolted to the header panel behind the driver's side headlight, under the hood. The battery/Air box may be in the way, making it difficult to get your hand between the battery, and header panel to unplug it.

If the truck has been running recently, the resistor is going to be VERY hot. This is why it's inside a perforated metal cage. It acts as a heat-sink. There will be a wire that plugs into it from the bottom. Just unplug the wire and let it hang, or zip-tie it out of the way.

- This harness will not work with auto sensing lights.
- Fog-light harness will disable factory fog switch and works with low or high beam only as needed.

# **Installation Instructions**

## **Pre-Cautions**

- Take the time to read and understand these instructions.
- Use proper tools when installing
- Use proper safety gear

## **Tools recommended for installation**

- 8mm and 13mm socket

## **Installation**

1. Un-plug the stock harness from the left side headlight bulb (dual Battery Setup, single battery vehicles start for the side closest to the battery)
2. Carefully insert the factory stock harness plug into the blue plug from the Upgraded Harness (Figure 3). Make sure its properly seated and locked into place.
3. Plug the Upgraded Harness into the driver's side headlight. Route the harness over the top of the radiator (Figure 5 and 6), under the Jack Handle/Radiator mounting bracket. Unplug the passenger side headlight from the stock harness (let it hang, it will no longer be used) and plug the Upgraded Harness into the headlight. Make sure all the pins make good connection.
4. Next, attach the ground wires from the headlight plugs to a suitable ground on driver side between battery and radiator support (Figure 1), and Passenger Side between Battery and Fender (Figure 2).
5. Insert both relays into the harness plugs, and attach to provided L-Bracket using bolt and nut. Do not over tighten, Find a suitable place to mount Relays (Figure 4).
6. Lastly, attach the Red hot lead to the positive terminal of the battery. The battery lead is fitted with fusible links and do not require an additional fuse. Wires are Red from the relays to the white plug and then turn into a black sleeve with 2 large terminal rings (Figure 7 and 8)

## **General Note**

Some vehicles will not be able to use the full power of this module due to variance in the HPOP. Adjust your module accordingly. Start in the high setting, with dial wide open, and work your way down to insure your SES light does not come on. Once you determine the level where you SES light is not triggered, this should be your highest setting.

## **Parts List**

Upgraded harness, Qty 2 relays, Zip Ties, Bracket, Bolt, and Nut

## **Disclaimers**

It is recommended that you remove all upgrades before servicing or prior to visiting the dealer. This avoids confusion from the dealer who may not be familiar with these products. Do not use this product until you have carefully read the following agreement.



Figure 1 - Ground Passenger Side



Figure 2 - Ground Driver Side



Figure 3 - Connection with Factory Harness



Figure 4 - Relays installed and mounted



Figure 5 - Harness over the Radiator



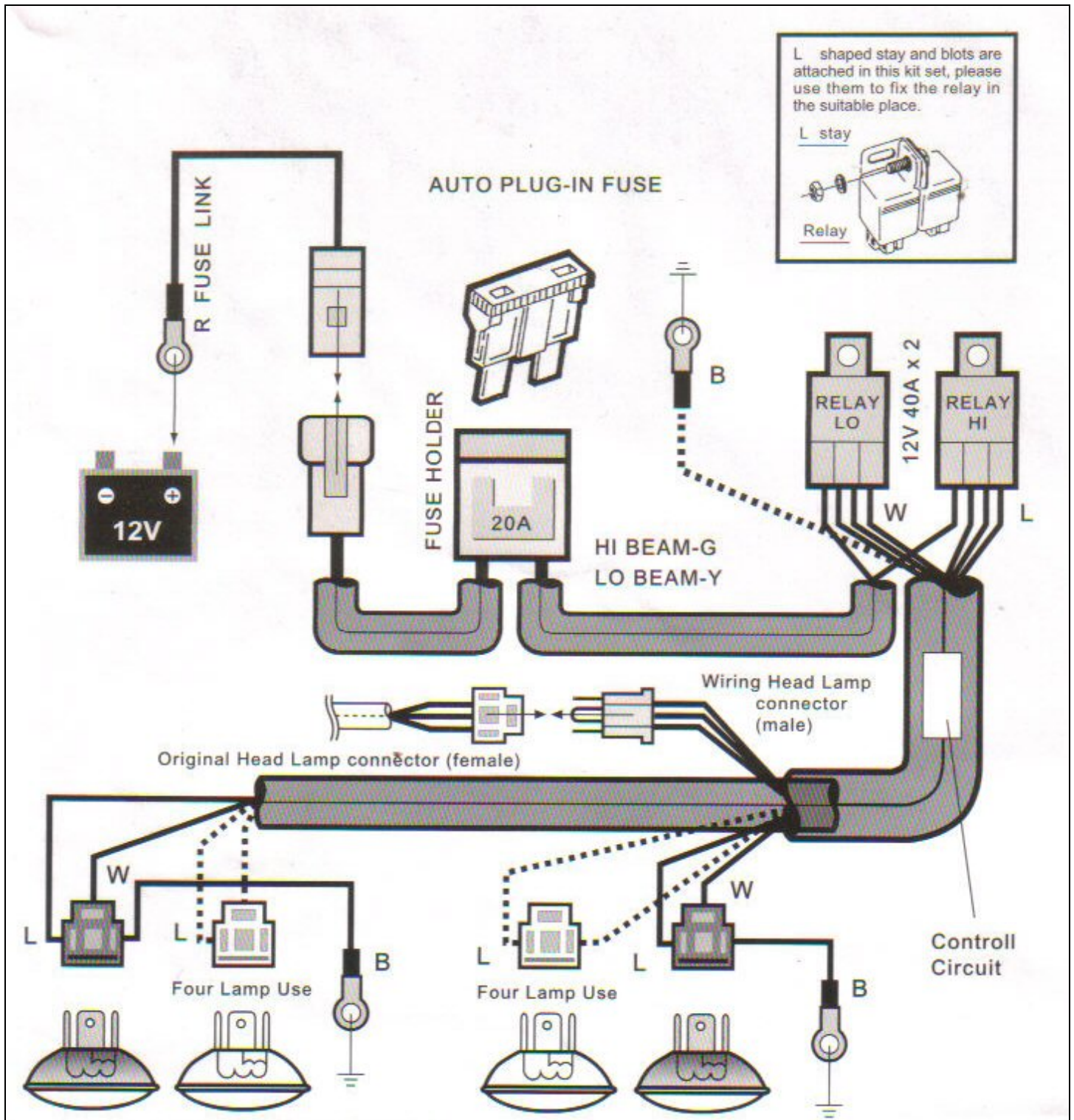
Figure 6 - Harness Zip tied



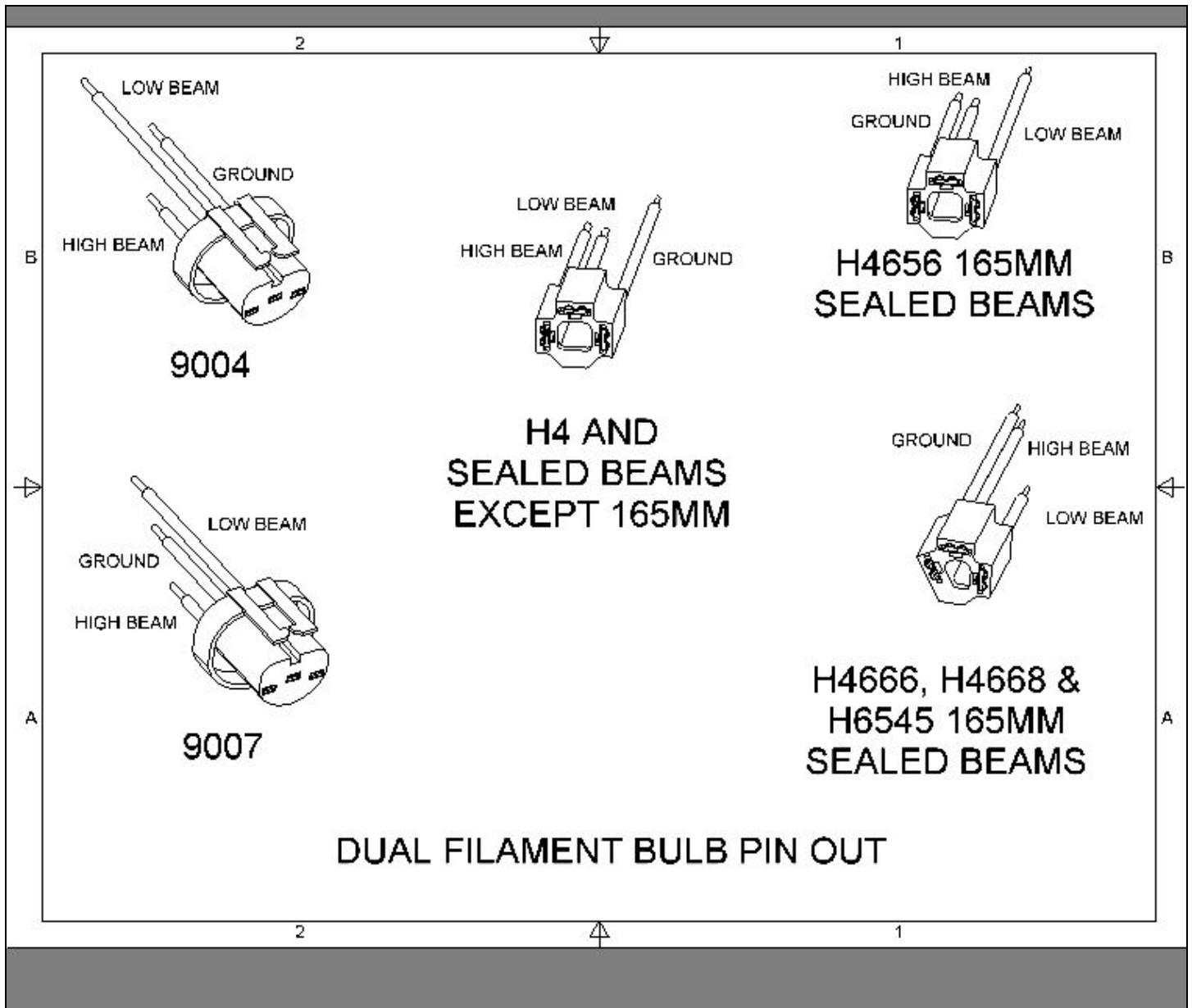
Figure 7 - Battery Connection



Figure 8



General Headlight Wiring Diagram



General Headlight Plugs Wiring Diagram

This sets forth the terms and conditions for the use of this product. The installation of this product indicates that the BUYER has read and understands this agreement and accepts its terms and conditions

**THIS IS A HIGH PERFORMANCE PRODUCT. USE AT YOUR OWN RISK.**

Do not use this product until you have carefully read the following agreement.

This sets forth the terms and conditions for the use of this product. The installation of this product indicates that the BUYER has read and understands this agreement and accepts its terms and conditions

**DISCLAIMER OF LIABILITY**

Dfuser.com and its distributors, jobbers, and dealers (hereafter **SELLER**) shall in no way be responsible for the product's proper use and service. **THE BUYER HEREBY WAIVES ALL LIABILITY CLAIMS.**

The **BUYER** acknowledges that he/she is not relying on the **SELLER's** skill or judgment to select or furnish goods suitable for any particular purpose and that there are no liabilities which extend beyond the description on the face hereof and the **BUYER** hereby waives all remedies or liabilities, expressed or implied, arising by law or otherwise, (including without any obligations of the **SELLER** with respect to fitness, merchantability and consequential damages) or whether or not occasional by the **SELLER's** negligence.

The **BUYER** is responsible to fully understand the capability and limitations of his/her vehicle according to manufacturer specifications and agrees to hold the **SELLER** harmless from any damage resulting from failure to adhere to such specifications.

The **SELLER** disclaims any warranty and expressly disclaims any liability for personal injury or damages. The **BUYER** acknowledges and agrees that the disclaimer of any liability for personal injury is a material term for this agreement and the **BUYER** agrees to indemnify the **SELLER** and to hold the **SELLER** harmless from any claim related to the item of the equipment purchased. Under no circumstances will the **SELLER** be liable for any damages or expenses by reason of use or sale of any such equipment.

The **BUYER** is responsible to obey all applicable federal, state, and local laws, statutes, and ordinances when operating his/her vehicle, and the **BUYER** agrees to hold **SELLER** harmless from any violation thereof.

The **SELLER** assumes no liability regarding the improper installation or misapplication of its products. It is the installer's responsibility to check for proper installation and if in doubt, contact the manufacturer.

The **SELLER** recommends that the **BUYER** temporarily remove this product from his/her vehicle when having the vehicle serviced by a dealership or other service facility. Failure to do so may cause erroneous diagnostic readings or misdiagnosis of vehicle problems. The **SELLER** assumes no liability for failure to do so.

**LIMITATION OF WARRANTY**

Dfuser.com (hereafter "**SELLER**") gives Limited Warranty as to description, quality, merchantability, fitness for any product's purpose, productiveness, or any other matter of **SELLER's** product sold herewith. The **SELLER** shall be in no way responsible for the product's open use and service and the **BUYER** hereby waives all rights other than those expressly written herein. This Warranty shall not be extended or varied except by a written instrument signed by **SELLER** and **BUYER**.

The Warranty is Limited to ninety (90) days from the date of sale and limited solely to the parts contained within the product's kit. All products that are in question of Warranty must be returned shipping prepaid to the **SELLER** and must be accompanied by a dated proof of purchase receipt. All Warranty claims are subject to approval by Dfuser.com.

Under no circumstances shall the **SELLER** be liable for any labor charged or travel time incurred in diagnosis for defects, removal, or reinstallation of this product, or any other contingent expenses.

Under no circumstances will the **SELLER** be liable for any damage or expenses insured by reason of the use or sale of any such equipment.

**IN THE EVENT THAT THE BUYER DOES NOT AGREE WITH THIS AGREEMENT: THE BUYER MAY PROMPTLY RETURN THIS PRODUCT, IN A NEW AND UNUSED CONDITION, WITH A DATED PROOF OF PURCHASE, TO THE PLACE OF PURCHASE WITHIN TEN (10) DAYS FROM DATE OF PURCHASE FOR A FULL REFUND.**

**THE INSTALLATION OF THIS PRODUCT INDICATES THAT THE BUYER HAS READ AND UNDERSTANDS THIS AGREEMENT AND ACCEPTS ITS TERMS AND CONDITIONS.**

**AFTERMARKET PRODUCTS AND YOUR VEHICLE'S WARRANTY**

Many of our customers ask, "Will your product void my vehicle manufacturer's warranty?" While the answer is straightforward from a legal standpoint, we also want to educate our customers (and aftermarket Consumers) on some industry realities and offer some common sense precautions to minimize your risk.

Consumers of aftermarket products are protected by The Federal Magnusson-Moss Warranty Act. The Act states that if something breaks on your car and you take it in for warranty repair, the dealer must honor your warranty unless they can prove that whatever modifications you have added to your car actually caused the problem.

While as a consumer, you have strong legal protection with regards to your vehicle's warranty, there is also a practical reality that different automotive manufacturers and dealers have greatly varying views on aftermarket products, in particular those that produce horsepower, such as performance enhancement chips, modified intake manifolds, or aftermarket exhaust systems. There are dealers and manufacturers out there that will use the presence of a horsepower upgrade to void your vehicle's warranty. They will do this regardless of whose product you are using. Any aftermarket company that does not acknowledge this is misleading you.

The bottom line is that while the law protects the consumer and provides for enforcement of the warranty, it is very difficult for most people to hire an attorney and fight a voided warranty. Dfuser.com recommends that you always disconnect and remove your module and monitor when you take your vehicle to a dealer for warranty work in order not to interfere with Diagnostic equipment.

## 9008 (H13) Plug Layout:

The Factory Harness (Figure - 9, and Figure - 10) are wired as follows:

Center Wire: Ground  
Left Wire: High Beam  
Right Wire: Low Beam



**Figure 9**



**Figure 10**

