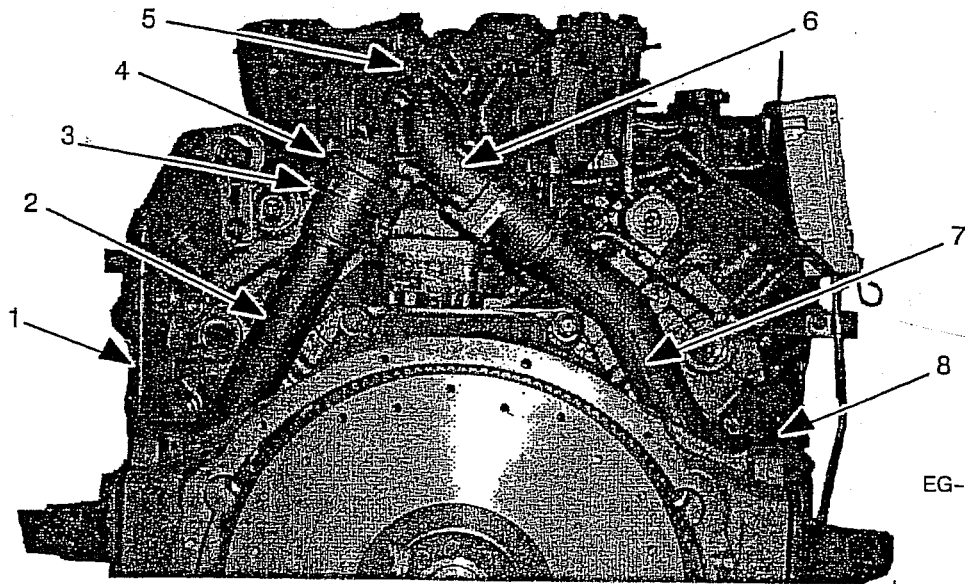


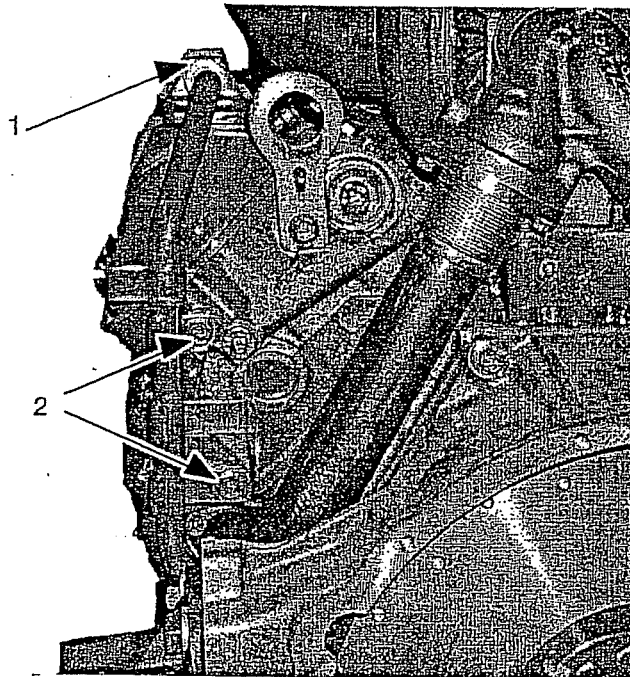
REMOVAL AND INSTALLATION INSTRUCTIONS FOR EXHAUST TUBE BELLOWS PACKAGE



EG-8751

Exhaust Tube Bellows/Adapter Assembly Package

- | | |
|------------------------------------|---------------------------------------|
| 1. Road Draft Tube | 5. Turbocharger Exhaust Adapter Clamp |
| 2. LH Exhaust Tube Assembly | 6. Exhaust Inlet Adapter Assembly |
| 3. Exhaust Adapter Flange Bolt (4) | 7. Exhaust Tube Assembly |
| 4. Exhaust Pipe Flange Gasket (2) | 8. Exhaust Tube Flange Location |



Road Draft Tube Mounting Hardware

- | | |
|---------------|-------------------|
| 1. Hose Clamp | 2. Mounting Bolts |
|---------------|-------------------|